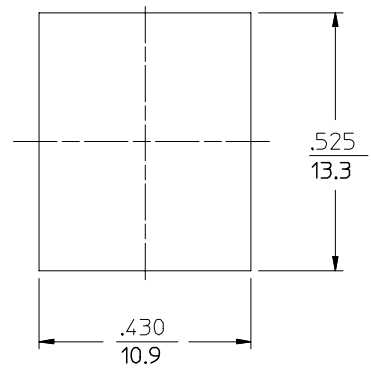
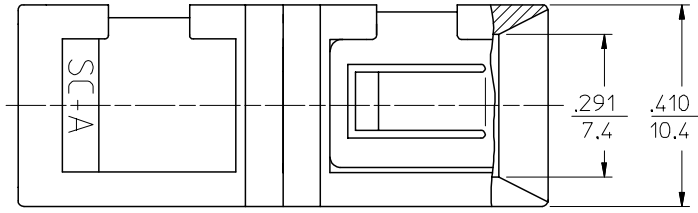
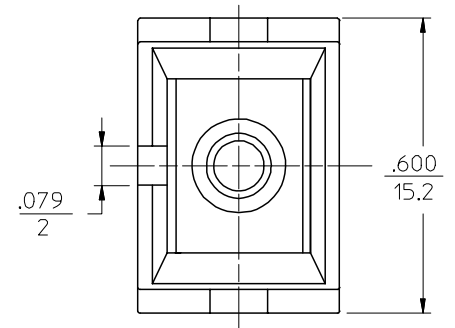
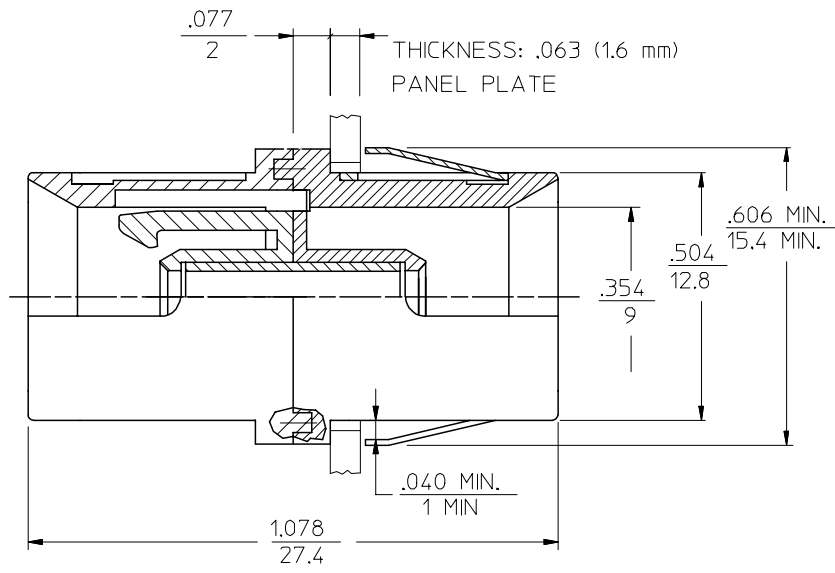


P/N OF ADAPTER	MATERIAL OF SPLIT SLEEVE	COLOR OF ADAPTER SHELL
86170-0000	ZR	BLACK
86171-0000	PHOSPHOR BRONZE	
86170-0020	ZR	GREEN
86171-0020	PHOSPHOR BRONZE	
86170-0030	ZR	RED
86171-0030	PHOSPHOR BRONZE	
86170-0050	ZR	BLUE
86194-0170	PHOSPHOR BRONZE	BLACK
86194-0730	PHOSPHOR BRONZE	RED



RECOMMENDED MOUNTING HOLE



- NOTES:
1. ALL DIMENSIONS ARE GIVEN IN $\frac{\text{INCHES}}{\text{mm}}$.
 2. DUST CAPS ARE NOT SHOWN.

RESTRICTED RELEASE
DRAWING MAY CHANGE WITHOUT
CUSTOMER NOTIFICATION

Fiber Optics Division Downers Grove, Illinois			
TITLE:	BSC BACK PANEL ADAPTER	Size	Scale
Drawing No.	861XX-00X0 CD	B	4:1
			REV. Sheet 1 of 1